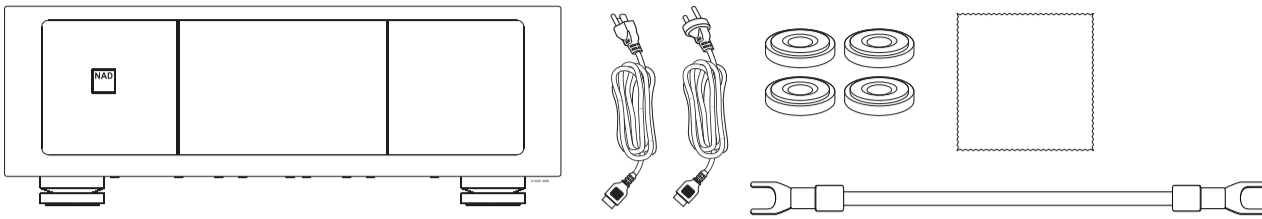


NAD M28 Seven Channel Power Amplifier Quick Setup Guide

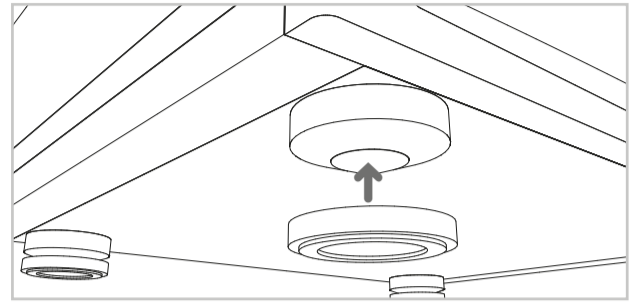
1



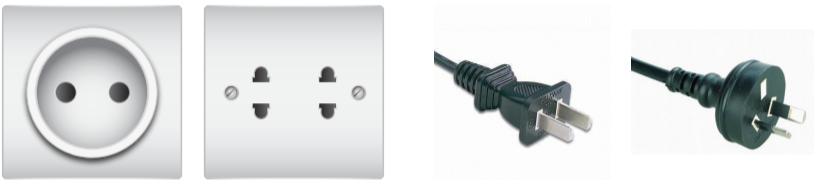
nadelectronics.com/product/m28-seven-channel-power-amplifier
support.nadelectronics.com



2



M28 CONNECTION WITH M17/M17V2/M17V2i AND OTHER DEVICES (APPLICABLE TO 230V/EUROPEAN VERSION UNITS ONLY)

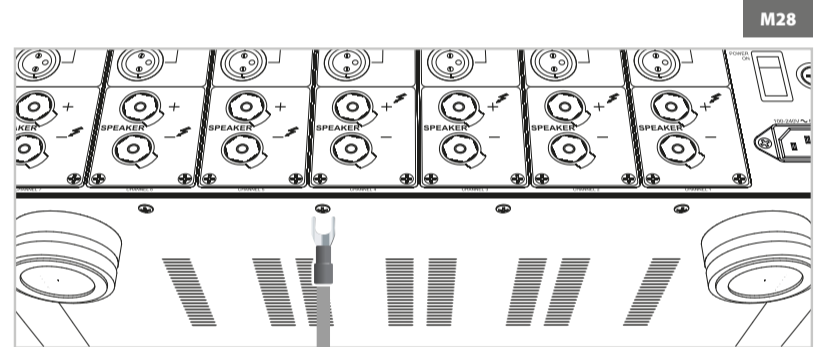
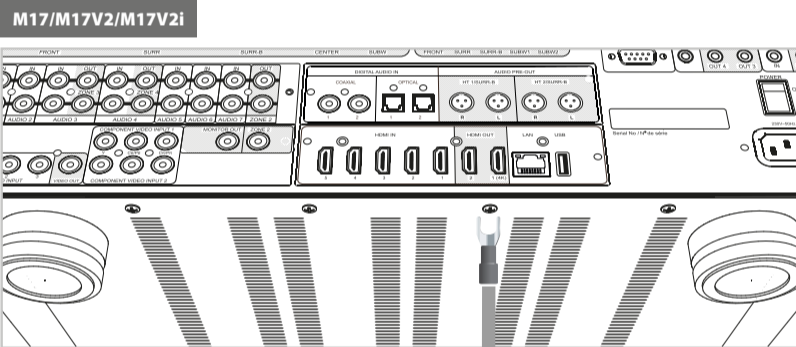


If your electrical outlet or AC plug has no earth connection like the examples shown to the left, it is **NECESSARY** that the ground terminals of the following products are connected together using the supplied grounding cable as illustrated below.



IMPORTANT!

- Ensure that the units are handled carefully to avoid scratches or dents. Use protective cushions or pads to lay down the units when turning them over.
- If M28 is paired with other products, ensure that the supplied grounding cable is connected to M28's ground terminal and the other product's corresponding ground terminal (it may be marked ⊕); consult with your other product's service department for guidance in locating its ground connection).



3A

