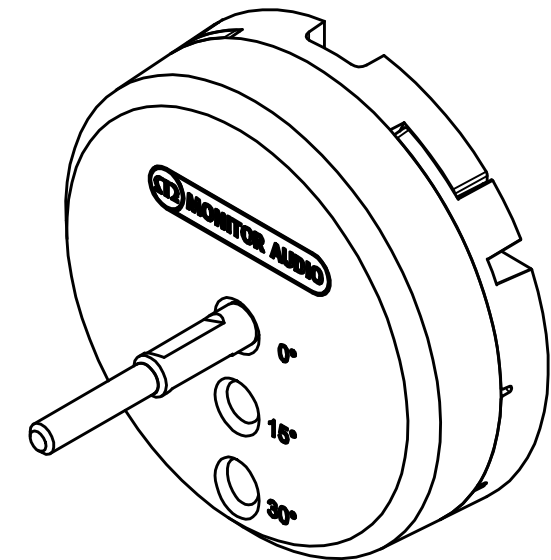
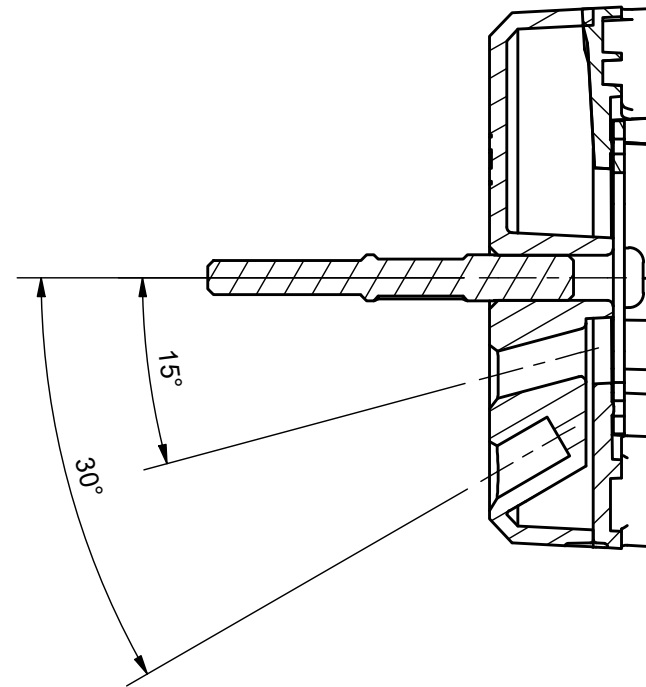
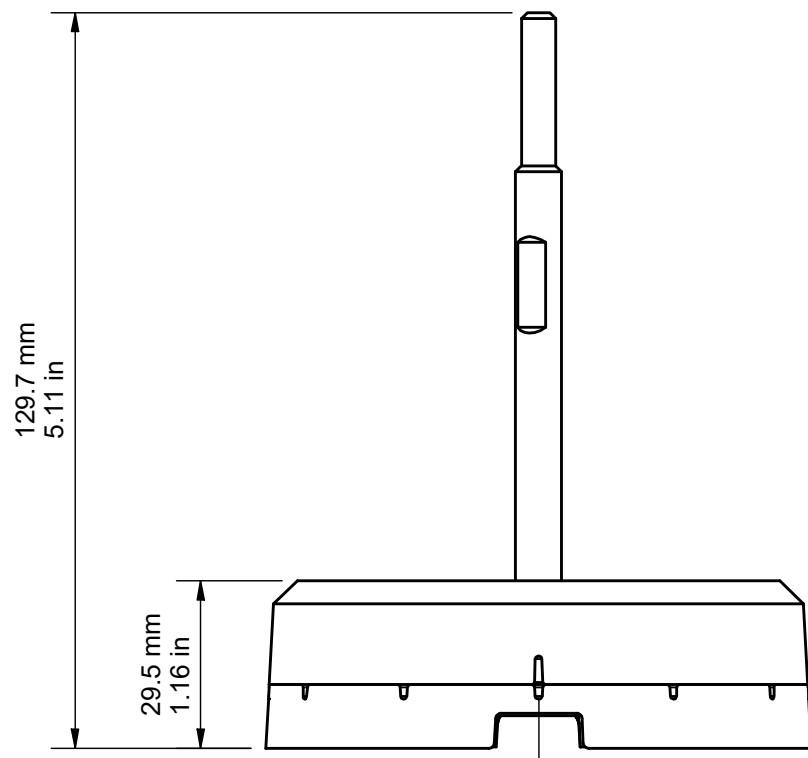


A-A



DRAWING FOR REFERENCE ONLY

FIX-M



RANGE: ACCESSORIES / BRACKETS

© COPYRIGHT MONITOR AUDIO

06/05/2020

