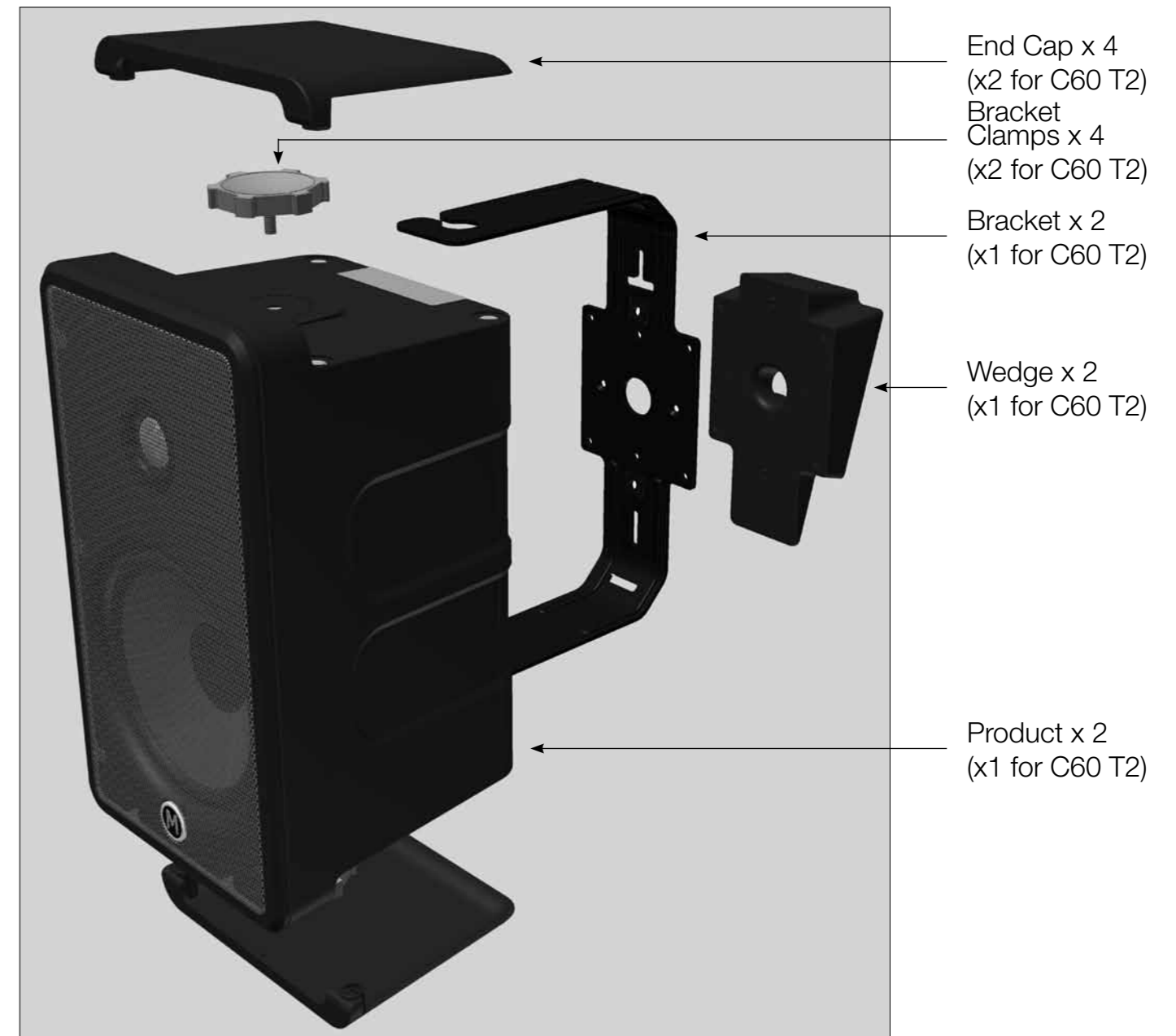




Climate **series**

Installation Information

In the box.



Also Included (Located within the packaging):

Wedge Screws x 2 (x4 for C80, x1 for C60 T2). Long screws supplied to be used for widest part of the wedge. The installer should supply screws for the narrowest part of the wedge

Template x 1

Paint Mask x 2 (x1 for C60 T2)

NOTE: The following installation steps apply to **ALL** Climate products, regardless of orientation.

1 Choose fixing option

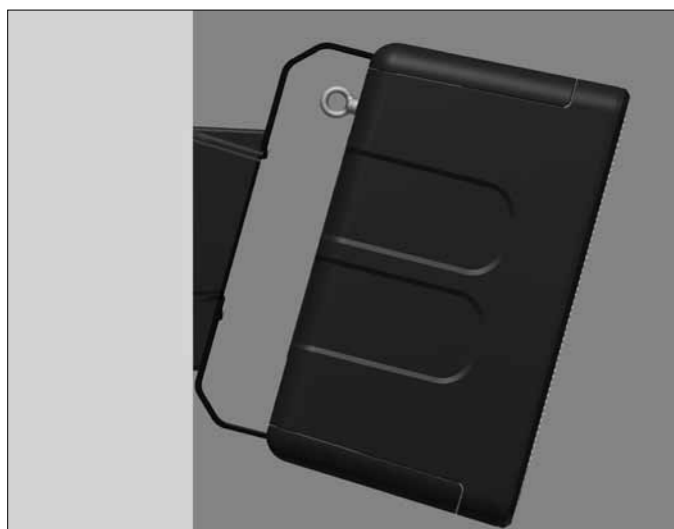
a) Horizontal on flat wall



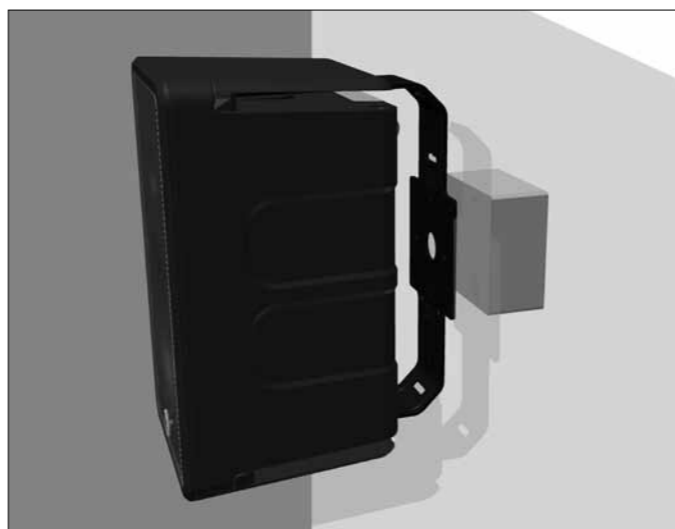
b) Vertical on flat wall



c) Angled on flat wall (using wedge)



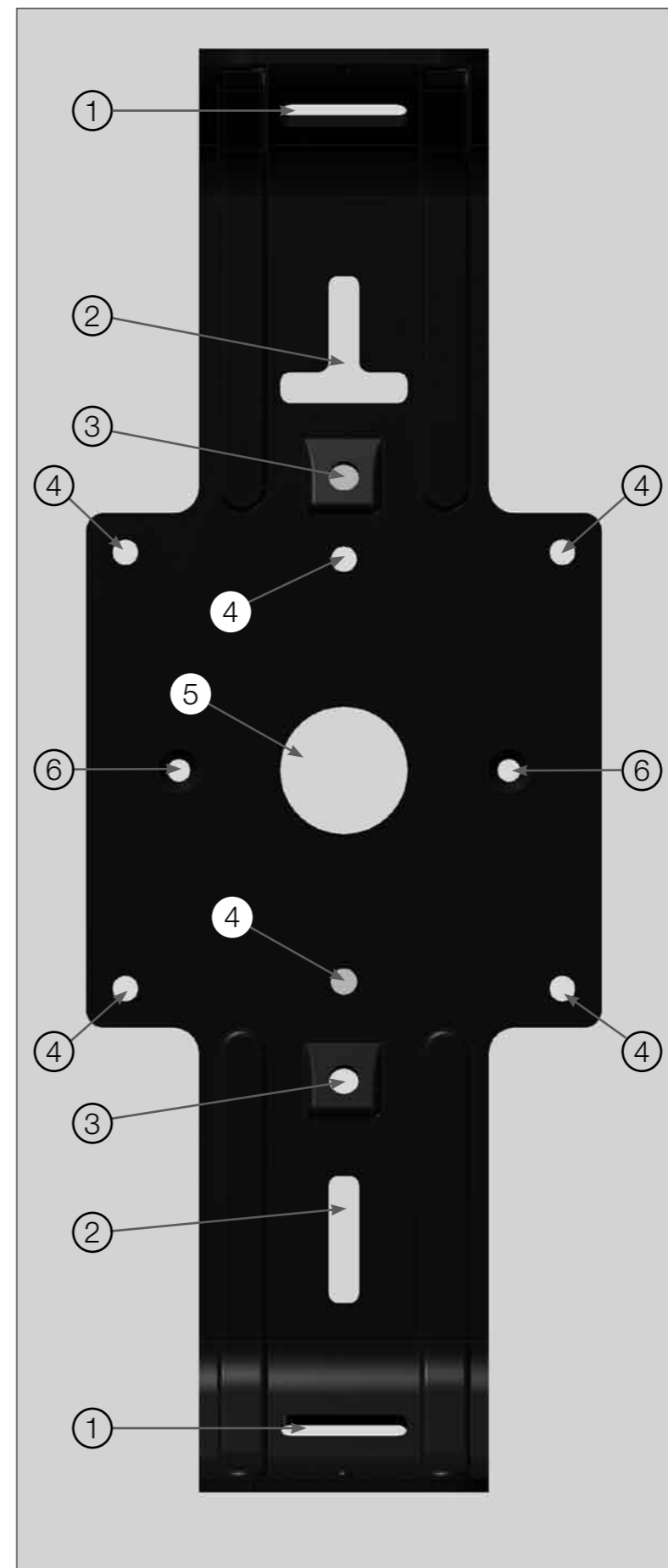
d) Using electrical junction box



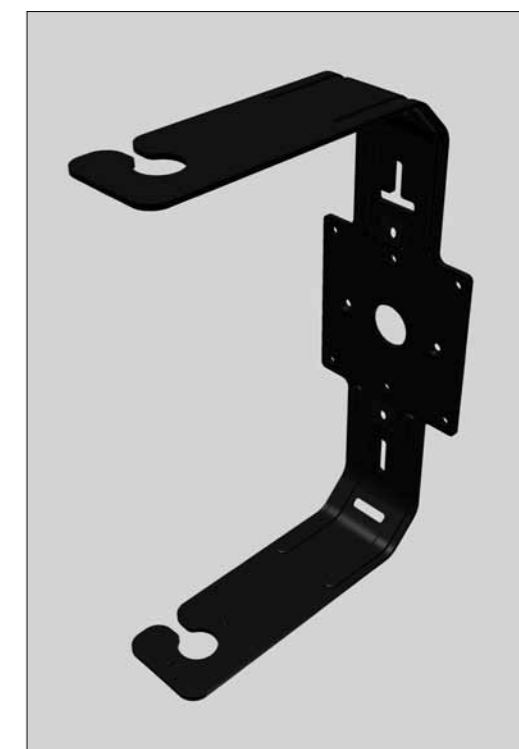
e) In a corner



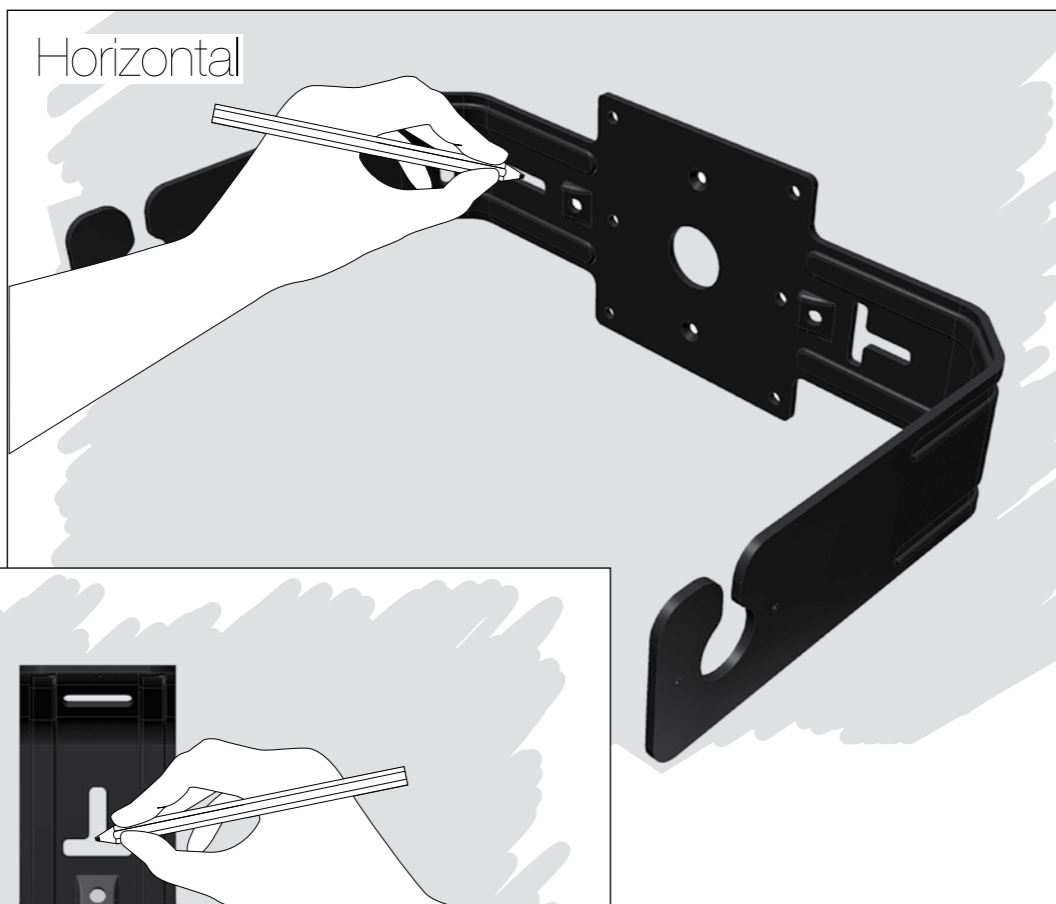
2 Bracket fixing options



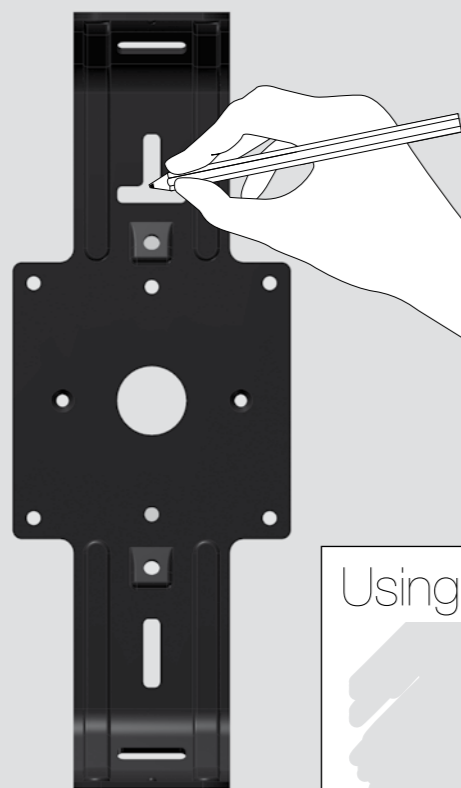
1. For fixing horizontally into a corner.
Fixings not supplied.
2. For fixing horizontally or vertically onto a flat wall.
Fixings not supplied.
3. Wall fixing screws for when using wedge.
Some fixings supplied. See "Whats in the box".
4. For securing to an electrical back box.
Fixings not supplied.
5. Cable through hole.
6. For fixing bracket to wedge.
Fixings not supplied. Use N° 6 x 20mm (3/4") self tapping screw.



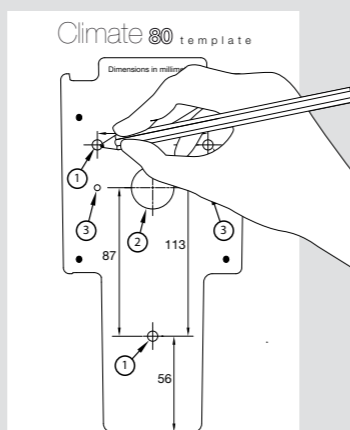
3 Mark required fixing points



Vertical



Using Wedge



- NOTE:** Fix bracket to wedge before fitting to wall
- ① Wall fixing points.
 - ② Cable through hole. 25mm Diameter max.
 - ③ Bracket fixing points.



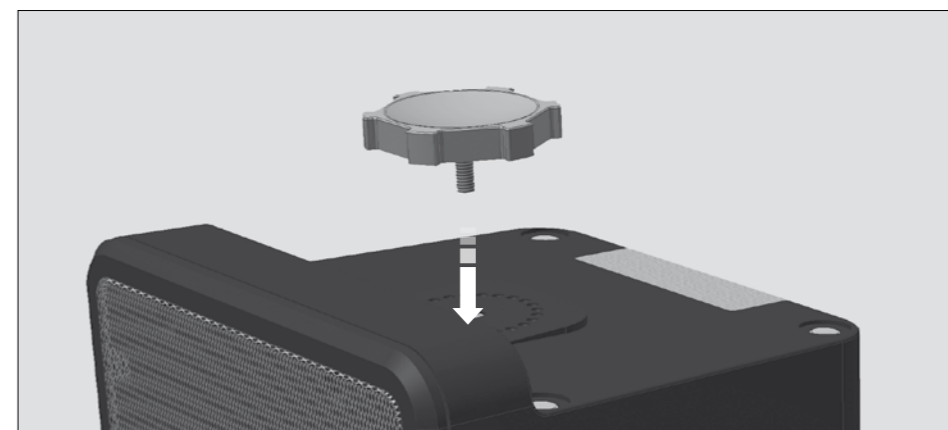
NOTE: If Using the wedge, mark the fixing points using the template, NOT the bracket.

4 Drill, fit wall plugs where appropriate and secure bracket according to your choice of fixing. **NOTE:** If using the wedge, fix the bracket to the wedge prior to fixing on the wall.

5 Remove the magnetic end caps from product.

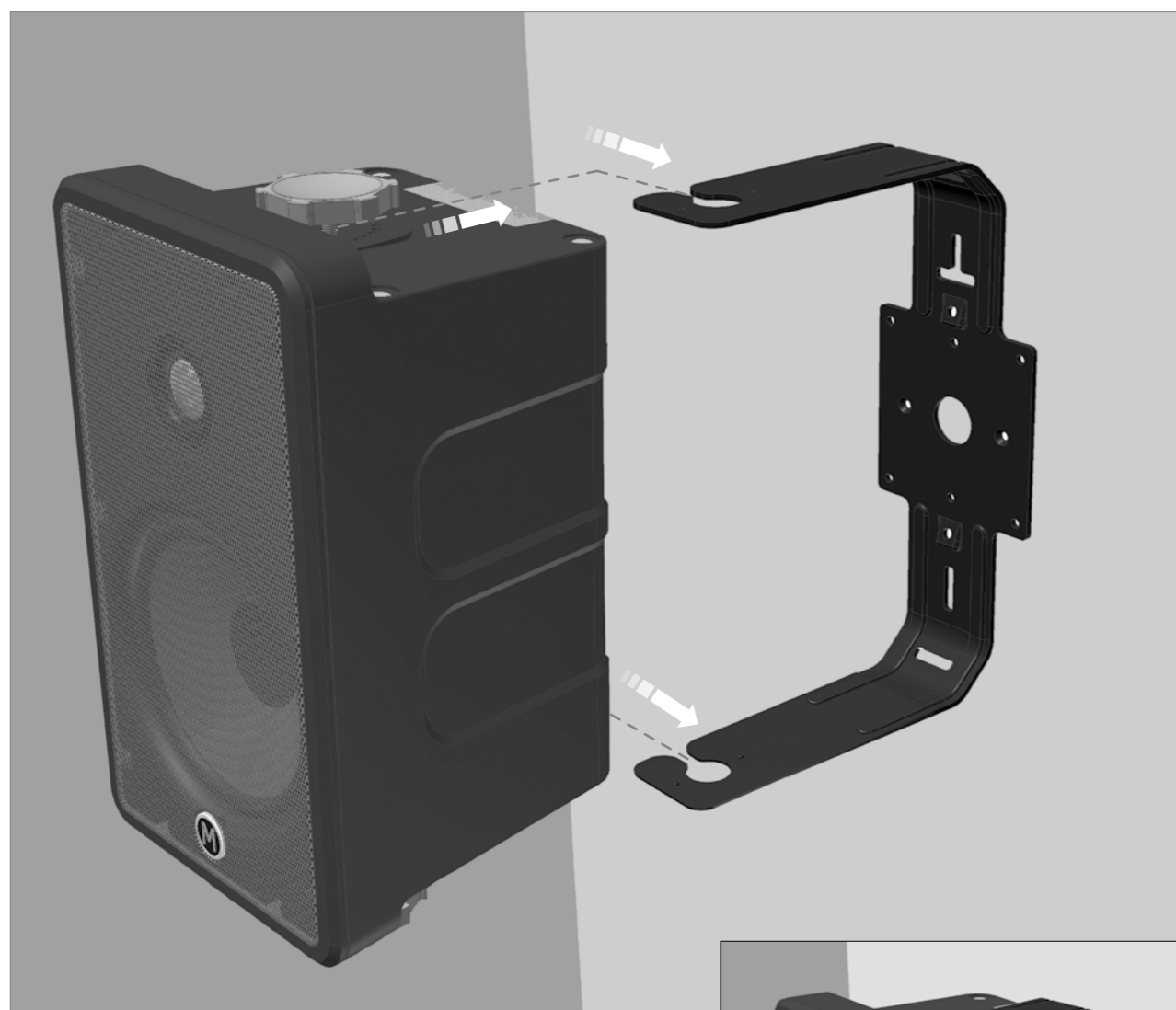


6 Loosely fit the top and bottom bracket clamps



- 7** Locate the product on the bracket, adjust the direction accordingly and tighten the clamps.

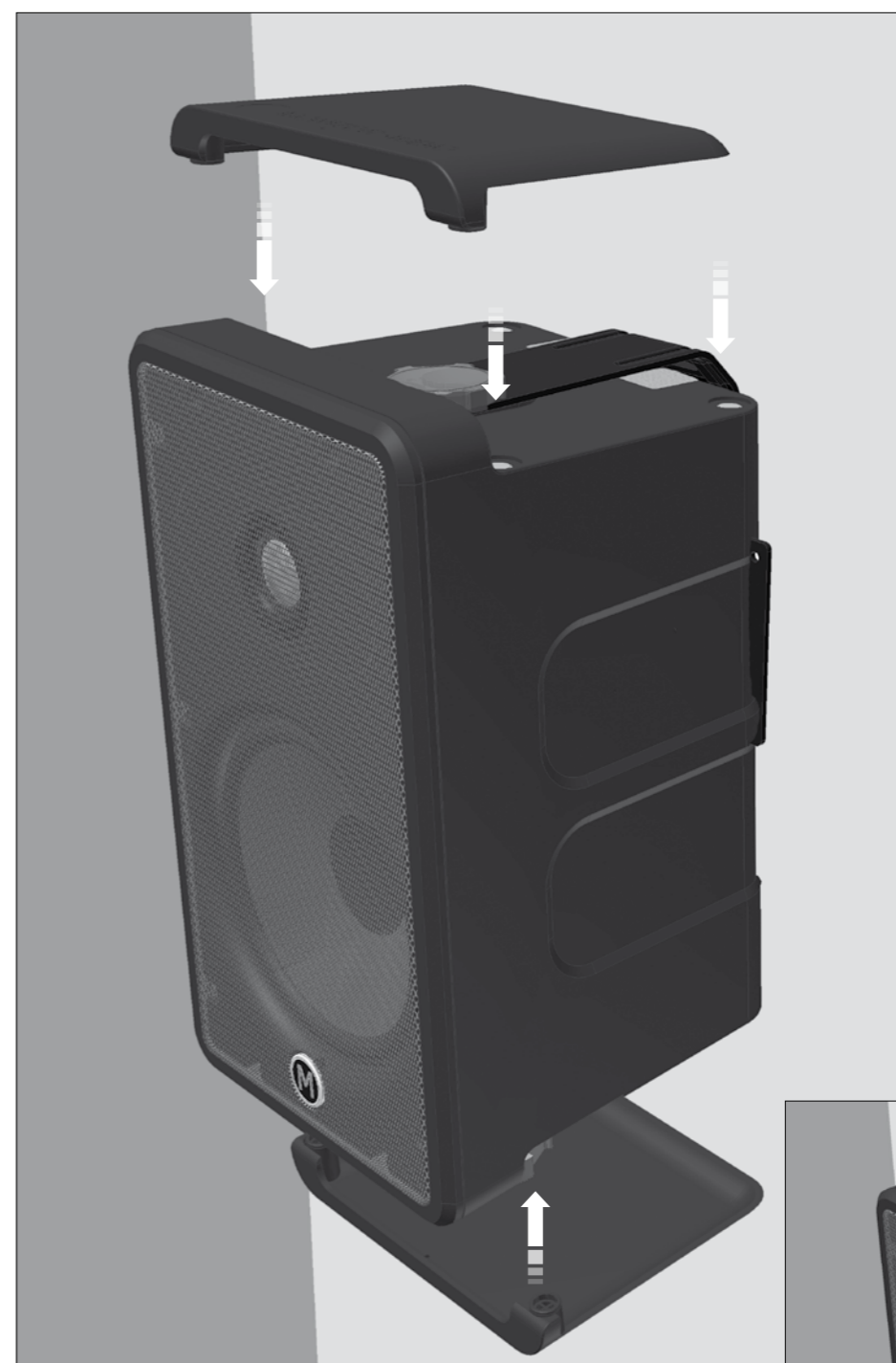
NOTE: Ensure the pips in the bracket are located correctly on the product, at both the top and bottom.



NOTE: If re-adjustment of the angle is required, loosen BOTH of the clamps and rotate the product, supporting its weight in the process.



- 8** Re-fit the magnetic end caps. The end caps might have to be swapped over, depending on the angle of the Climate product,



Climate Series Specifications:

Specifications	Climate 50
Frequency Response	75Hz – 30kHz
Impedance	8 Ohms
Sensitivity (1W @ 1m)	87dB
Power Handling (RMS)	80W
Recommended Amplifier Requirements (RMS)	10 - 80W
System Configuration	2 way. Rear Firing ABR
Maximum SPL (each)	106.8dBA
Driver Compliment:	1 x 5.5" C-CAM® mid/bass driver. 1 x 1" (25mm) C-CAM® gold dome tweeter.
Overall Dimensions (H x W x D)	285 x 172.5 x 158.5mm (11 ^{1/4} x 6 ^{13/16} x 6 ^{1/4} "
Total Depth inc Bracket (exc Wedge)	210mm (8 ^{1/4} "
Total Pivot Angle	87.5 Degrees (from central position)
Wedge Angle	15 Degrees
Environmental Protection Rating	IP56
Weight kg (lb)	3.66 (8.05)

Specifications	Climate 60
Frequency Response	63Hz – 30kHz
Impedance	8 Ohms
Sensitivity (1W @ 1m)	88dB
Power Handling (RMS)	100W
Recommended Amplifier Requirements (RMS)	15 - 100W
System Configuration	2 way. Rear Firing ABR
Maximum SPL (each)	108.8dBA
Driver Compliment:	1 x 6.5" C-CAM® mid/bass driver. 1 x 1" (25mm) C-CAM® gold dome tweeter.
Overall Dimensions (H x W x D)	325 x 185 x 178.5mm (12 ^{13/16} x 7 ^{5/16} x 7")
Total Depth inc Bracket (exc Wedge)	235mm (9 ^{1/4} "
Total Pivot Angle	87.5 Degrees (from central position)
Wedge Angle	15 Degrees
Environmental Protection Rating	IP56
Weight kg (lb)	4.62 (10.16)

Specifications	Climate 60 T2
Frequency Response	63Hz – 30kHz
Impedance	2 x 8 Ohms
Sensitivity (1W @ 1m)	88dB
Power Handling (RMS)	2 x 50W
Recommended Amplifier Requirements (RMS)	15 - 100W
System Configuration	2 way. Rear Firing ABR
Maximum SPL (each)	106.8dBA
Driver Compliment:	1 x 6.5" C-CAM® mid/bass driver with dual voice coil. 2 x 1" (25mm) C-CAM® gold dome tweeter.
Overall Dimensions (H x W x D)	325 x 185 x 178.5mm (12 ^{13/16} x 7 ^{5/16} x 7")
Total Depth inc Bracket (exc Wedge)	235mm (9 ^{1/4} "
Total Pivot Angle	87.5 Degrees (from central position)
Wedge Angle	15 Degrees
Environmental Protection Rating	IP56
Weight kg (lb)	5.02 (11.04)

Specifications	Climate 80
Frequency Response	50Hz – 30kHz
Impedance	8 Ohms
Sensitivity (1W @ 1m)	89.5dB
Power Handling (RMS)	120W
Recommended Amplifier Requirements (RMS)	20 - 120W
System Configuration	2 way. Rear Firing ABR
Maximum SPL (each)	111.1dBA
Driver Compliment:	1 x 8" C-CAM® mid/bass driver. 1 x 1" (25mm) C-CAM® gold dome tweeter.
Overall Dimensions (H x W x D)	405 x 230 x 221mm (15 ^{15/16} x 9 ^{1/16} x 11 ^{11/16} "
Total Depth inc Bracket (exc Wedge)	272.5mm (10 ^{3/4} "
Total Pivot Angle	87.5 Degrees (from central position)
Wedge Angle	15 Degrees
Environmental Protection Rating	IP56
Weight kg (lb)	6.53 (14.37)



Monitor Audio Ltd
24 Brook Road, Rayleigh
Essex, SS6 7XJ
England
Tel: + 44 (0)1268 740580
Fax: + 44 (0)1268 740589
Email: info@monitoraudio.co.uk

monitoraudio.co.uk
Designed in the United Kingdom
Version 1.