



Manual HT Series

Premium Quality Manual Pull-Down Projector Screen

User's Guide

*Thank you for choosing the **Manual HT** projection screen! Please read through this user guide before utilizing the screen. Correct usage and maintenance will ensure a long product life.*

Care & Use Instructions

◆ Dust, dirt and scratches on the projection surface will affect the picture quality, please take note of the points below to prevent that from occurring:

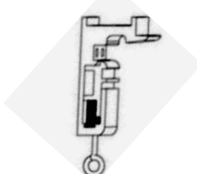
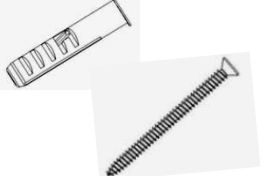
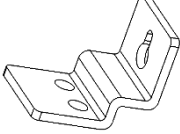

1. Do not touch the projection surface with your hands
2. Do not write or draw on the projection surface
3. Do not use fingers or sharp objects to point on the projection surface; this will damage the screen material.
4. Use a soft-damp cloth to clean the projection surface; do not use chemical cleaning agents or alcohol.
5. Use clean water when dampening the cleaning cloth and do not rub against the material to clean it.

◆ To avoid damage and injury, the screen should only be operated by adults.

Pre-installation

1. Carefully unpack the screen.
2. Always handle the screen in a leveled position on a clean surface.

Hardware Parts List for Manual HT Series

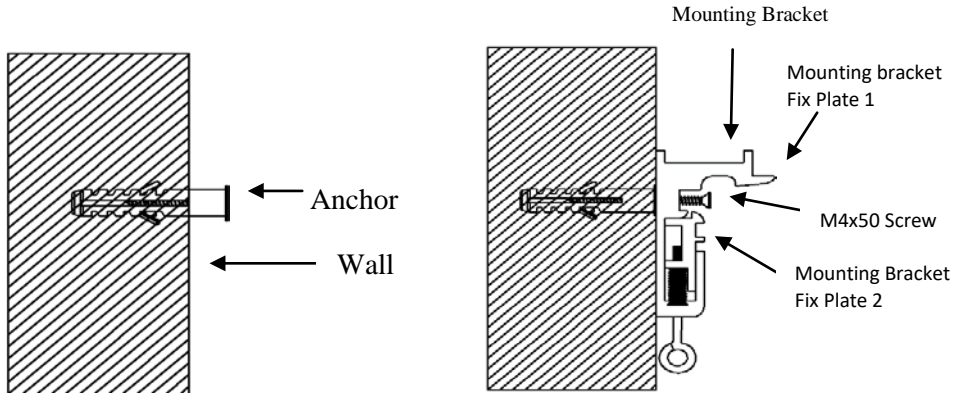
A. Mounting Bracket x2pcs	B. M10 Anchor and M4x50 Screw x4pcs	C. Suspended Ceiling Bracket Connector x2pcs	D. M5x15 Screw & Bolt x4pcs
			

Installation Instructions

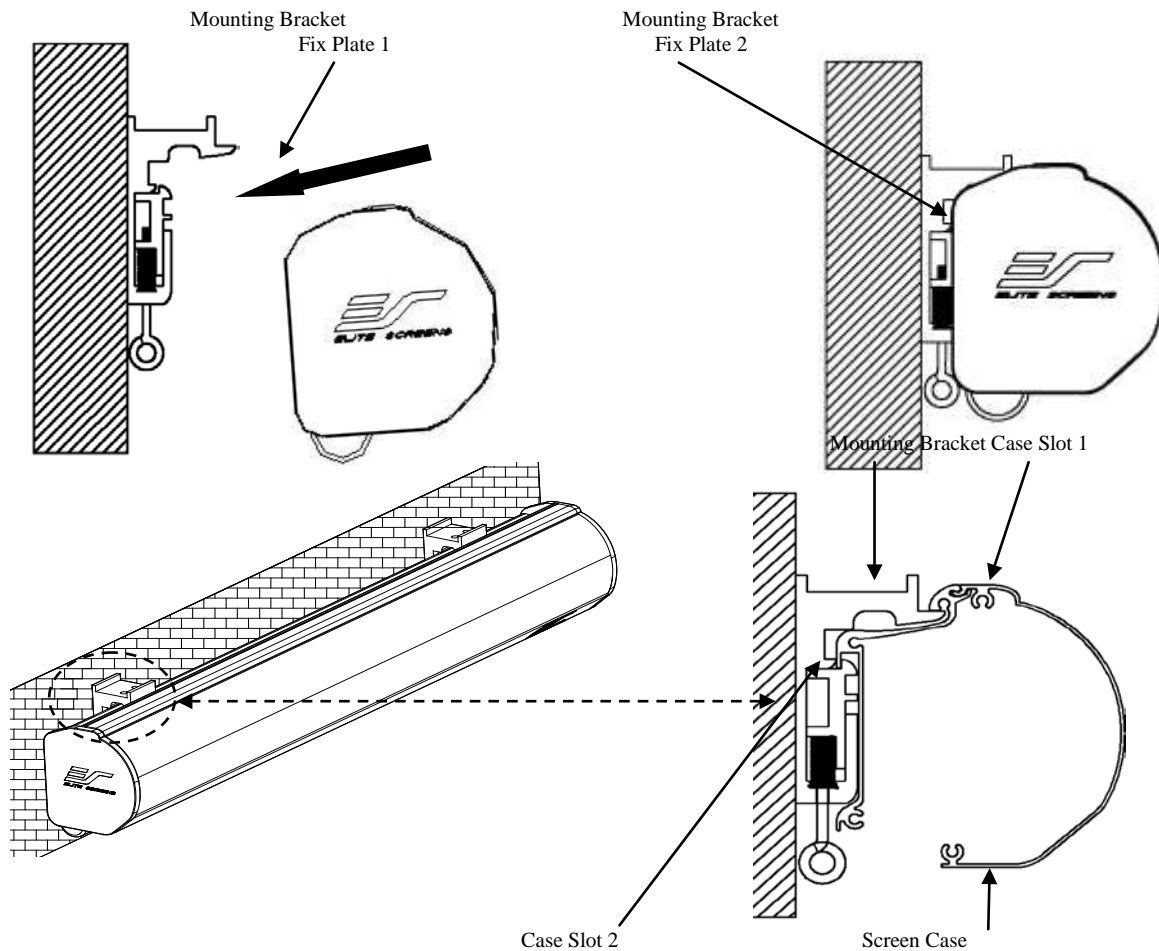
Please consult a professional installer, Elite Screens is not liable for faulty installations.

Flush Mount to the Wall

1. Mark the location of where the screen is to be installed, drill your holes and insert the **M10 Anchors (B)**.
2. Install the **Mounting Brackets (A)** to the wall and secure with the **M4x50 Screws (B)**.

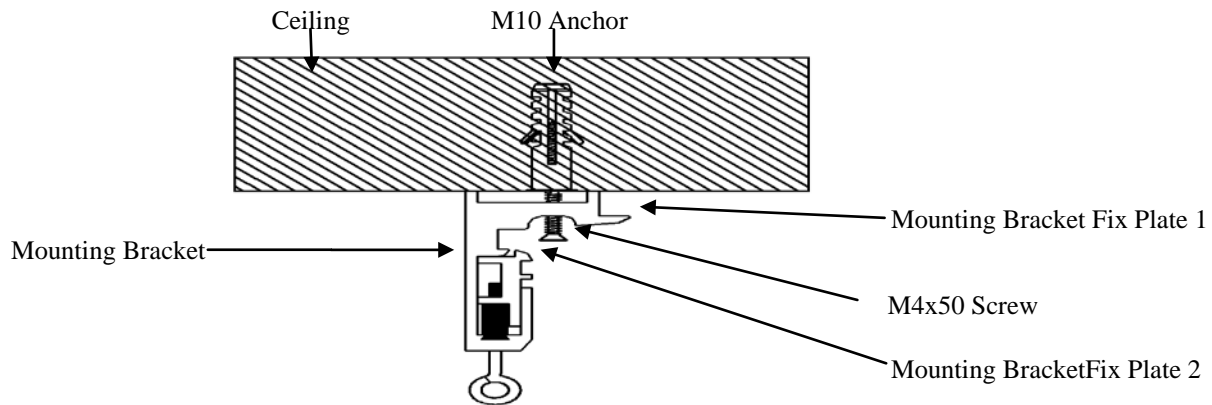


3. Attach the screen to the **Mounting Brackets (A)** by inserting the top of the case to **Fix Plate 1** and securing the back of the case to **Fix Plate 2**. Make sure the case slots are securely attached to the mounting brackets.

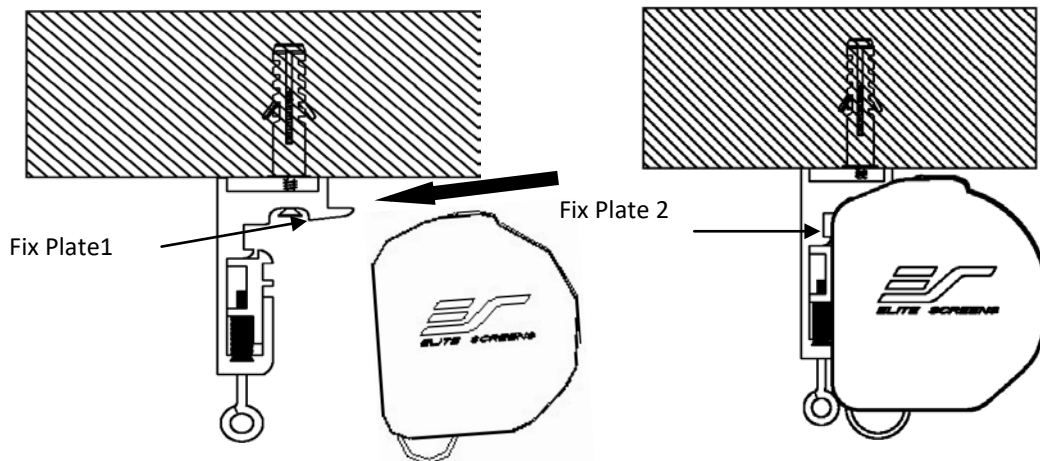


Flush Mount to the Ceiling

1. Mark the location of where the screen is to be installed, drill your holes and insert the **M10 Anchors (B)**.
2. Install the **Mounting Brackets (A)** to the ceiling and secure with the **M4x50 Screws (B)**.

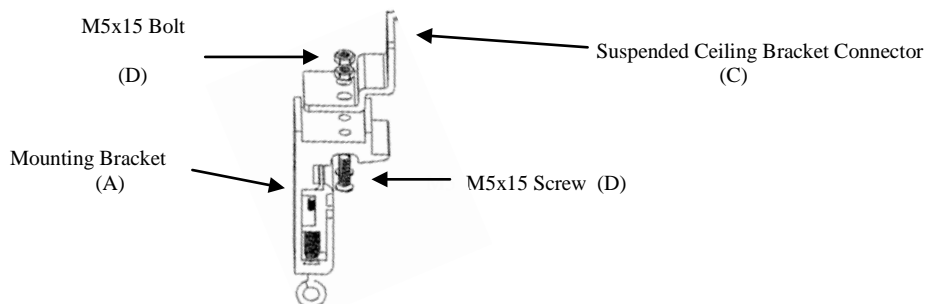


3. Attach the screen to the **Mounting Bracket (A)** by inserting the top of the case to **Fix Plate 1** and securing the back of the case to **Fix Plate 2**. Make sure the case slots are securely attached to the **Mounting Bracket (A)**.

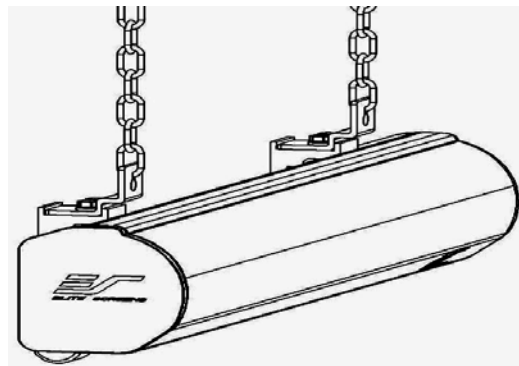
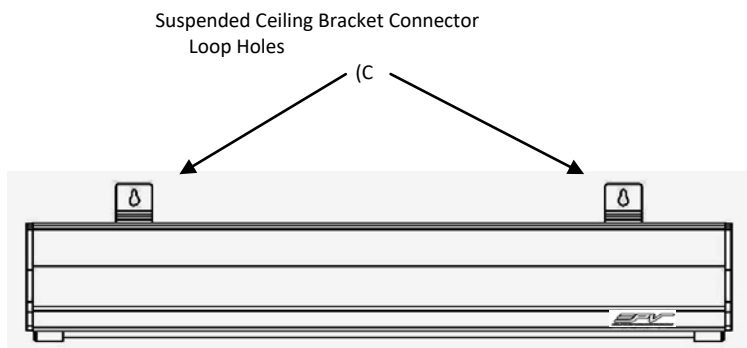


Suspended Ceiling using Chains (additional hardware required)

1. You can also hang the screen on a ceiling by using chains (not included).
2. Connect the **Suspended Ceiling Bracket Connector (C)** to the **Mounting Bracket (A)** and secure with the **M5x15 Screws & Bolts (D)**.

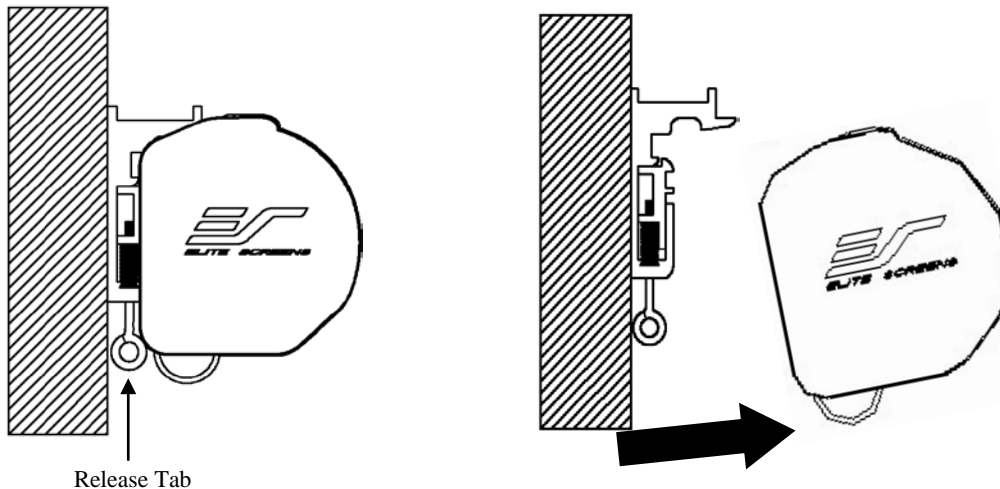


3. Insert chains (not included) through the loop holes of the **Suspended Ceiling Bracket Connector(C)**.



Screen removal from the Mounting Brackets

1. Pull down on the Mounting Bracket Release Tab and remove the bottom case away from the wall/ceiling followed by the top of the case.

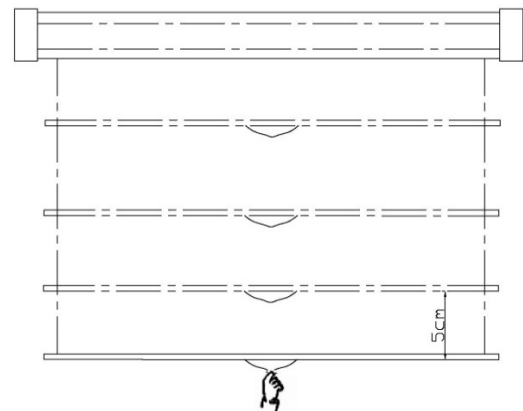


Pull bottom of case first away from wall/ceiling

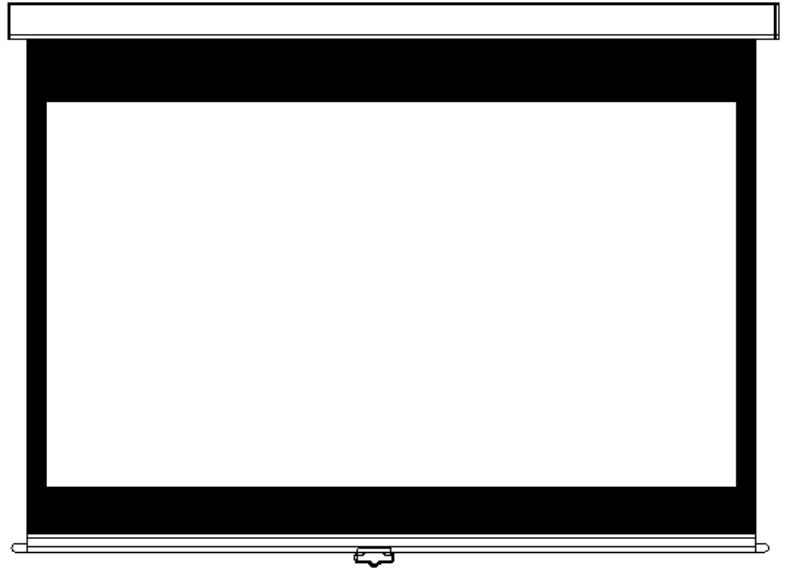
Screen Operation

1. Pull the screen down from the lanyard or from the handle only in a 90-degree angle. To achieve this, make sure to pull straight down and allowing the screen to come up to lock into place. **Do not attempt to pull the screen down by the surface or touch the screen, as it will damage the screen and void the warranty.**

2. To retract the screen, simply pull the screen down more than 2 inches and retract the screen back releasing it up gently. The screen is equipped with a **SLOW RETRACT MECHANISM** which allows the screen to slowly retract without the need to hold on to the handle or lanyard. Simply release the handle and the screen will retract by itself into the housing.



Attention: *If the screen does not unlock, carefully pull the screen straight down with a little force. Always pull the screen down at a 90-degree angle.*



For more information, technical support or your local EliteScreens contact, please visit www.elitescreens.com